

One Hole Bag Toss



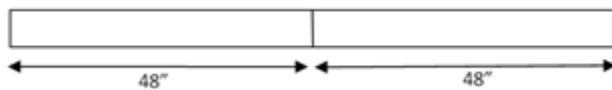
One Hole Bag Toss is a fun way to add play opportunities in a smaller space. The boards can be decorated in lots of playful ways to make them look bright and engaging. Children and adults of all ages can enjoy this classic cookout game.

Materials & Tools

Materials & Tools	
Materials	Quantity
2x4x8' boards	4
½"x4'x8' sanded plywood	1
⅜"x6" galvanized carriage bolts	4
⅜" galvanized washers	4
⅜" galvanized wing nuts	4
1 ⅝" deck screws	1 lb.
Tools	
Miter saw	
Circular saw	
Jig saw	
Pencil	
Tape measure	
Carpenter's square	
Safety glasses	
Drill	
4" hole saw drill attachment	
3/8" Drill bit	
Hammer	
Chalk line	
Primer and painting materials	

Preparation Instructions

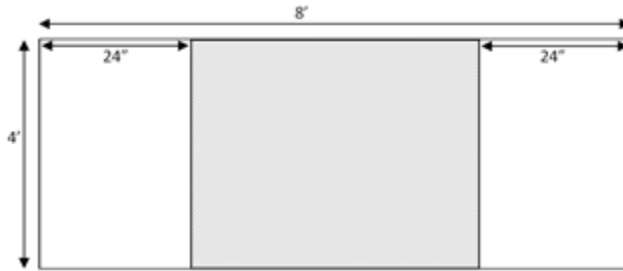
1. Sort all materials into piles by like item to ensure you have materials needed to complete project.
2. Take [2] of the 2x4x8' boards. Cut each into [2] 48" pieces, for a total of [4] 4x4x48" pieces.



- Take the [2] remaining 2x4x8' boards. Cut each into [2] 21" pieces and [2] 11 1/2" pieces, for a total of [4] 2x4x21" pieces and [4] 2x4x11 1/2" pieces.



- Take the [2] remaining 2x4x8' boards. Cut each into [2] 21" pieces and [2] 11 1/2" pieces, for a total of [4] 2x4x21" pieces and [4] 2x4x11 1/2" pieces.



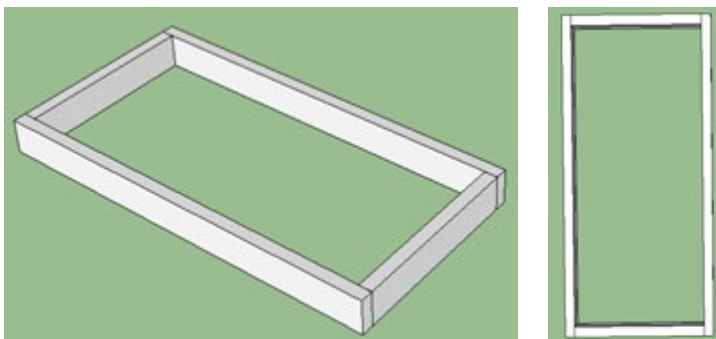
- Round cuts:

- Using the jig saw, round off the top of each 2x4x11 1/2" piece, cutting off two corners and rounding over.
- Using the drill with hole saw attachment, cut [1] 6"-diameter hole in each plywood piece. The hole should be 4" in from the 24" edge, and centered.

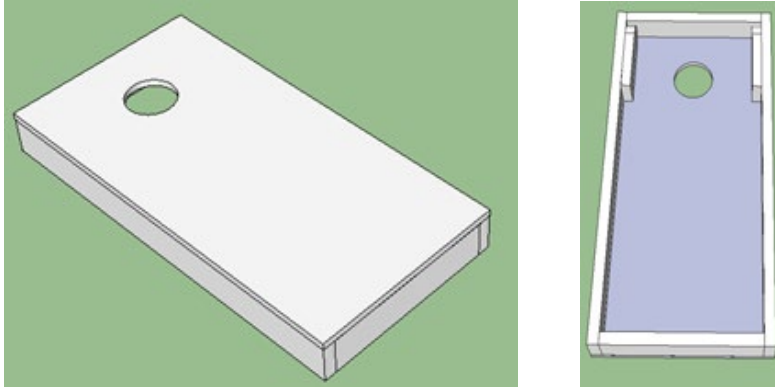
- Prime the sides and edges of both 24"x48" plywood pieces. Allow to dry

Build Instructions

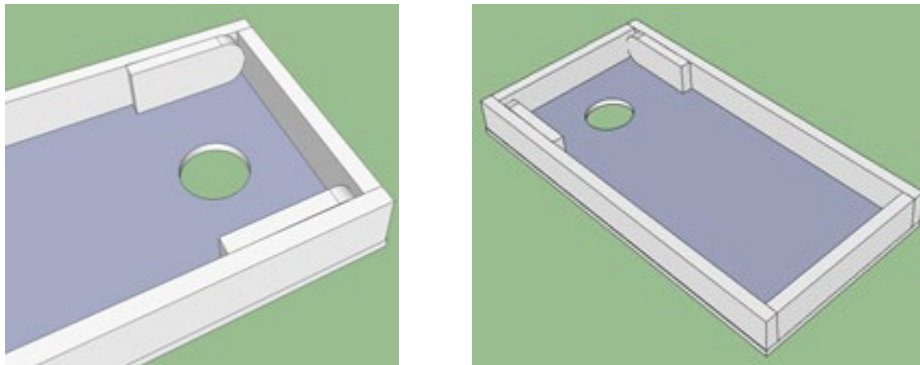
- Inventory and sort all of your materials.
- Use the 1 5/8" screws to build a rectangular box with [2] 2x4x21" pieces and [2] 2x4x48" pieces. The 21" pieces must be inside of the 48" pieces. This will form a 2'x4' box.



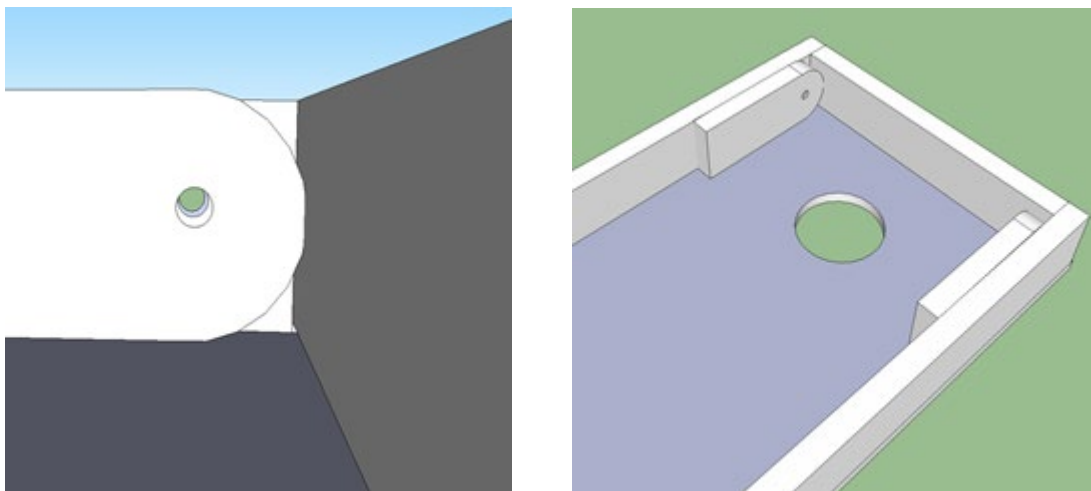
3. Lay one piece of the 24"x48" plywood on top of the 2x4 box, use the plywood to square up the 2x4 frame. Screw the plywood onto the frame with 1 5/8" screws



4. Turn the box upside down. Lay [2] rounded 2x4x11 1/2" legs parallel and flush up against the top corners with the half circle side in the corner.



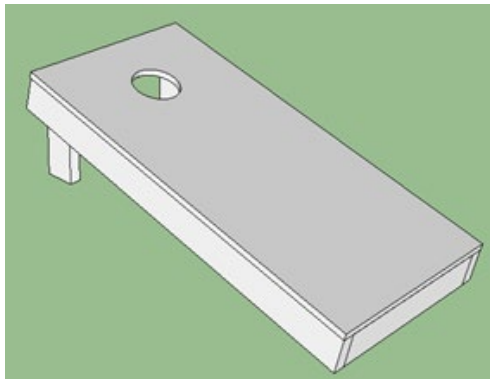
5. From the inside of the box, make a mark in the center of the 2x4 vertically inside the radius. Use the drill bit to drill a hole through the support leg and side of the box.



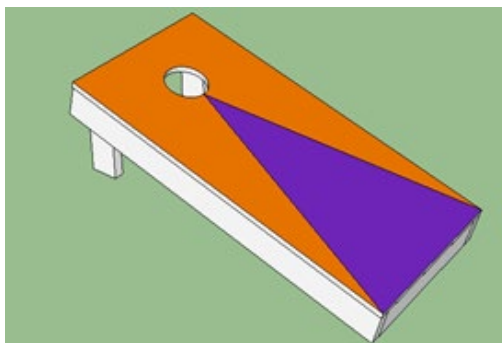
6. Install the carriage bolt through both holes and attach with a washer and a wing nut. Be sure the head of the bolt faces the outside of the box and that the washer and wing nut are on the inside.



7. Stand up the Bean Bag Toss by swinging out the legs and flipping it over.
8. Repeat all steps with remaining materials to complete the pair of Bean Bag Toss boxes.



9. Paint as desired



Source: <https://kaboom.org/resources/enhancement-projects/how-to-build-a-bean-bag-toss>

How to play One Hole Bag Toss

Placement:

Boxes (or "boards") are placed 23 feet apart from the front of the board to front of the board. (Which is a total of 28 feet from hole to hole.)

Rules for Players:

1. The bean bag toss game can be played with 2 or 4 players.
2. Each team gets 4 bean bags to throw.
3. When 4 players are used, team members stand on opposite ends and may throw from either side of the box.
4. Each player throws from behind the front of the boxes.

This is the foul line.

- The player must not pass the foul line or the players throw does not count and the bag is removed from play.
- Each team alternates shots beginning with the team that had scored last.



Scoring:

1. Points are scored when a player has a bag on the board or in the hole.
2. Only one team can score per round.
 - Points cancel each other.
 - A bag on the board is equal to 1 point, a bag in the hole is equal to 3 points.
 - An example of cancellation is as follows:
 - Team one has 2 bags in the hole and 1 bag on the board equaling 7 points ($3 + 3 + 1 = 7$).
 - Team two has 1 bag in the hole and 1 bag on the board equaling 4 points ($3 + 1 = 4$).
 - The lowest score is subtracted from the highest score to get the points earned for team one ($7 - 4 = 3$).
 - Team one earns 3 points in this round and gets to throw first in the next round.
 - The game is continued until one team scores 21 points. A team can win by a white wash which is 11-0.
 - A white wash cannot occur in the first half of the first round. (all 4 bags in the hole by player 1 of team 1, and only 1 point or zero points by player 1 of team 2)
 - If a team goes over 21, they go down in points by the number of points they went over
 - Ex. If a team is ahead 19-15 and puts one bag in the hole, they went over by 1 point, so their score goes down by 1 point. The new score would be 18-15
 - If a team goes over, they go second the next round
 - A bag that is tossed in play and knocks another bag off or in the hole is legal.
 - A bag that bounces from the ground onto the board is a legal play
 - Games # 1 and 2 will be played to 21 points but have a time limit of 35 minutes
 - Game # 3 is a tiebreaker only game, and teams will play to 11